

Service
Service
Service



Service Manual



CONTENTS

Technical specification1-2

Service measurement setup.....1-3

Service aids1-4

Instructions on CD playability2-1.. 2-2

Block diagram.....3-1

Wiring diagram4-1

Main board

 Circuit diagram5-1..5-6

 Layout diagram.....5-7..5-8

Tuner board

 Circuit diagram6-1

 Layout diagram.....6-2

Control board

 Circuit diagram7-1

 Layout diagram.....7-2

Recording board

 Circuit diagram8-1

 Layout diagram.....8-2

Exploded view diagram9-1

Revision list10-1



© Copyright 2011 Philips Consumer Electronics B.V. Eindhoven, The Netherlands
All rights reserved. No part of this publication may be reproduced, stored in a retrieval system or transmitted, in any form or by any means, electronic, mechanical, photocopying, or otherwise without the prior permission of Philips.

Published by LX 1132 Service Audio Subject to modification

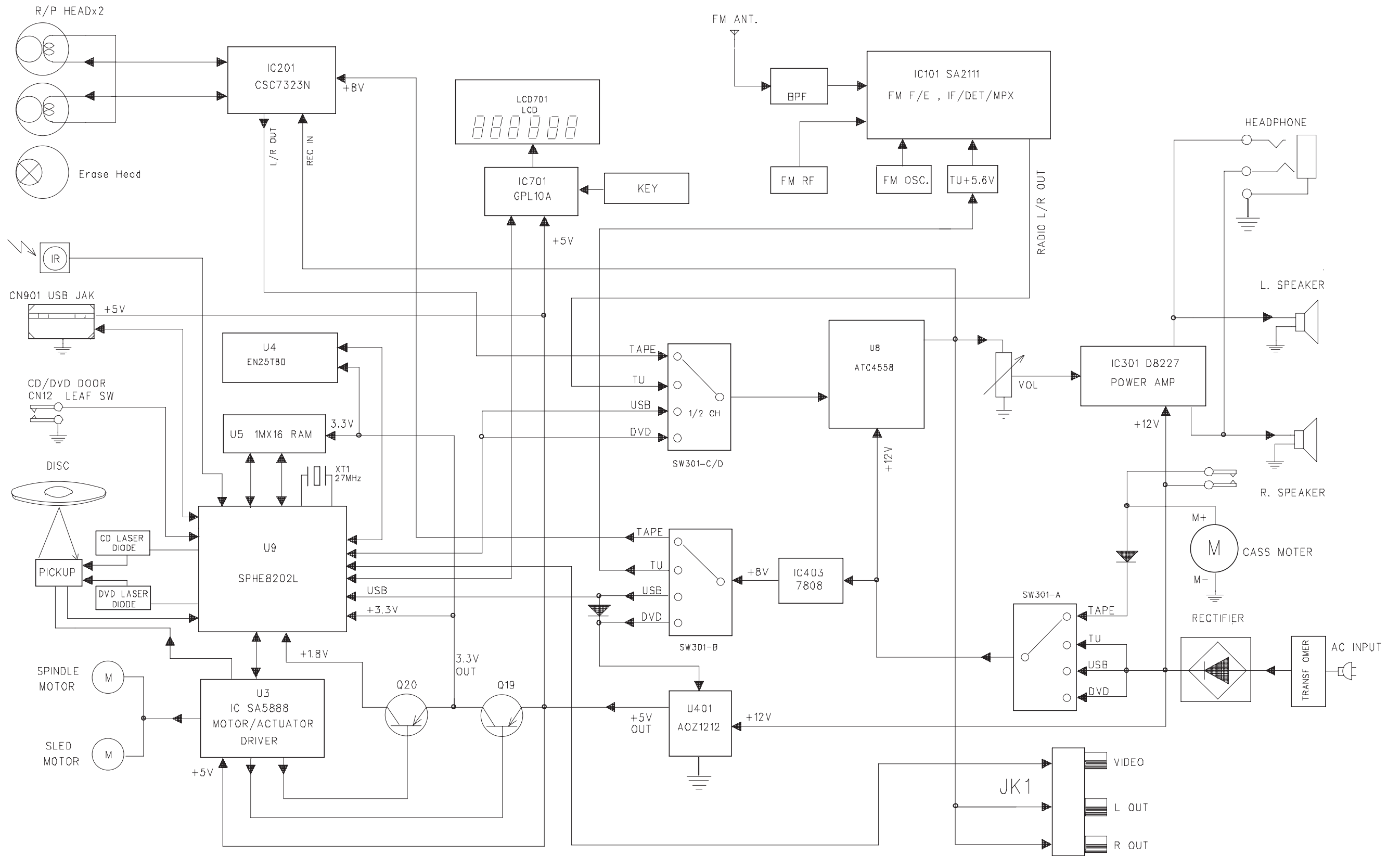
3141 785 34991

Version 1.1

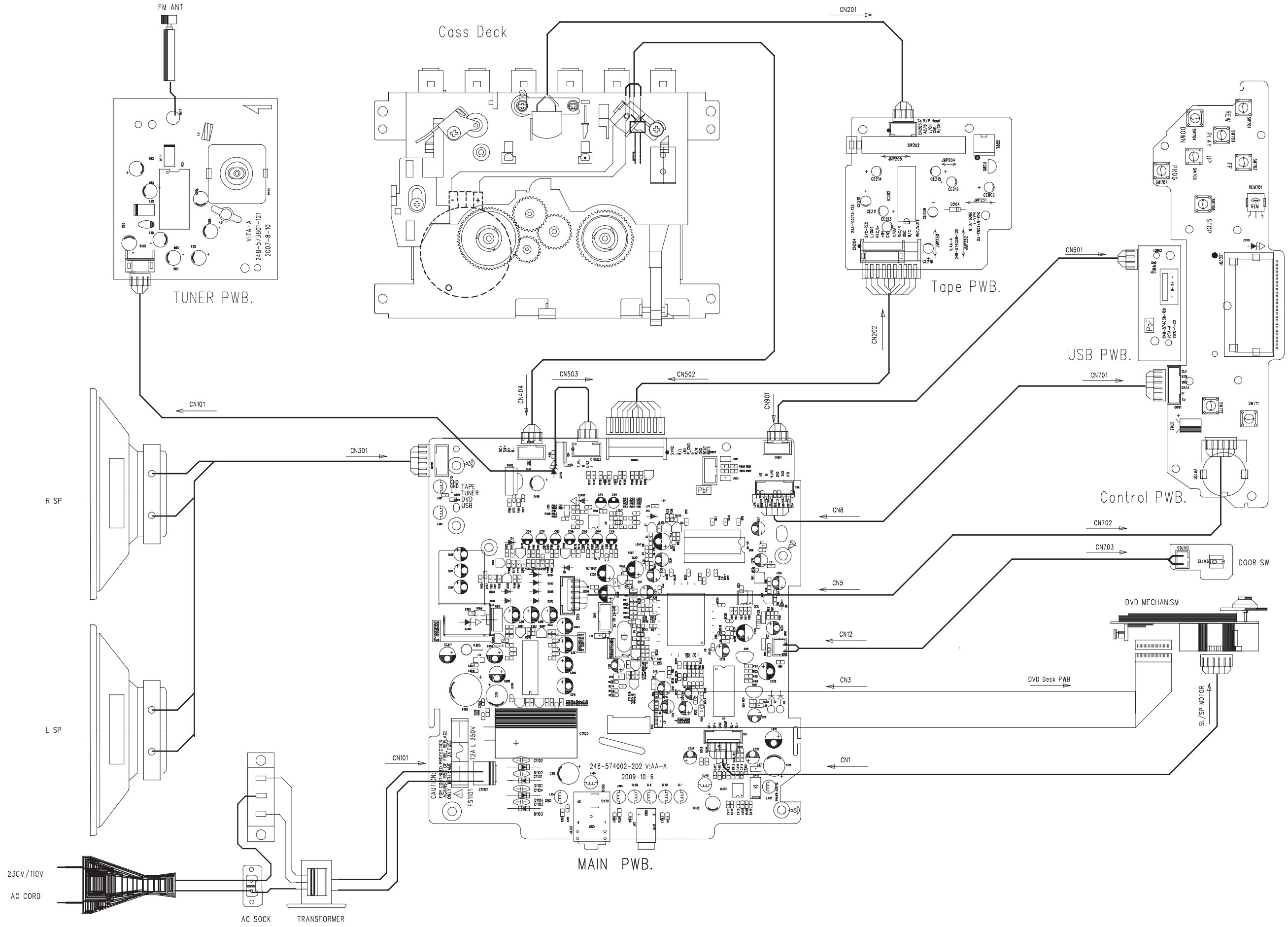


PHILIPS

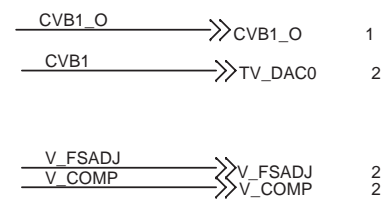
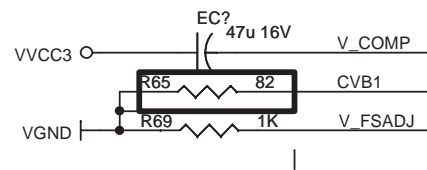
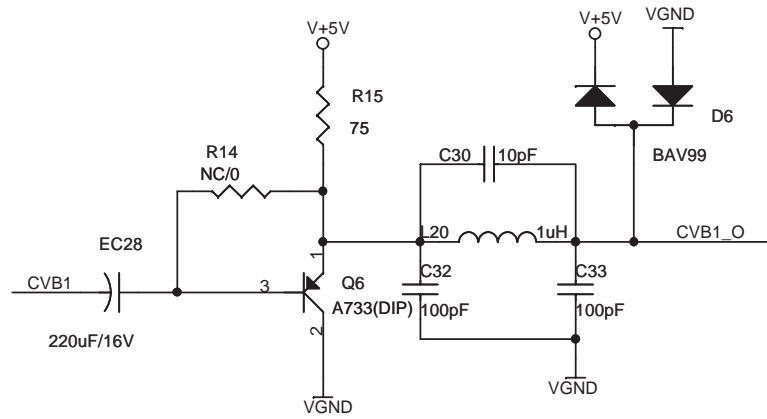
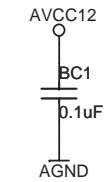
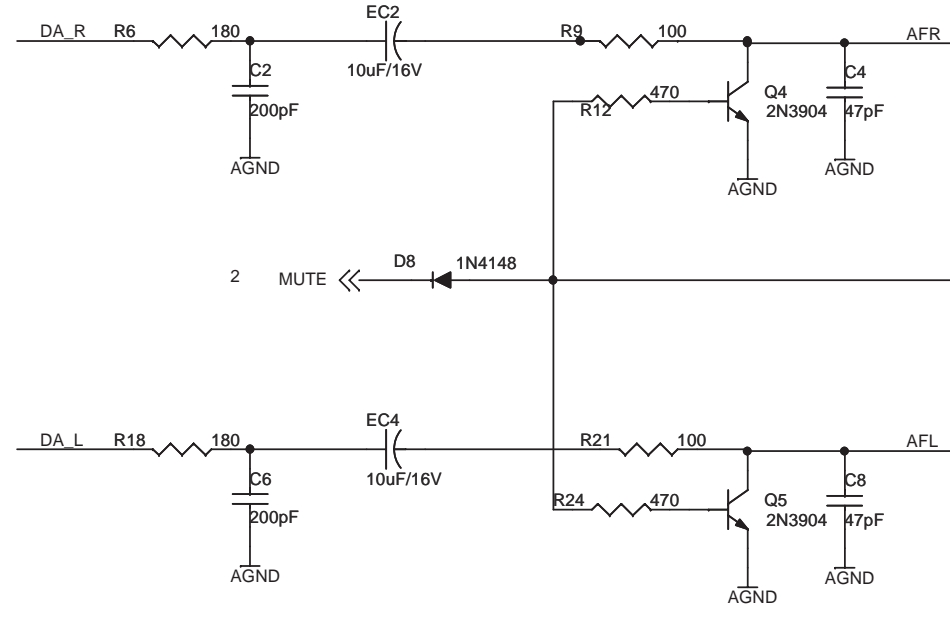
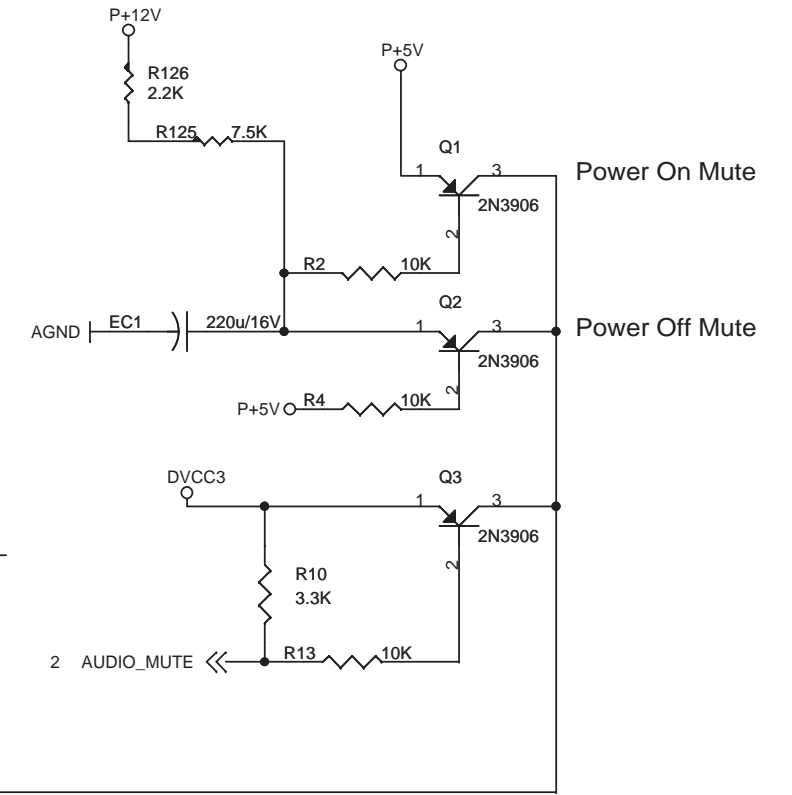
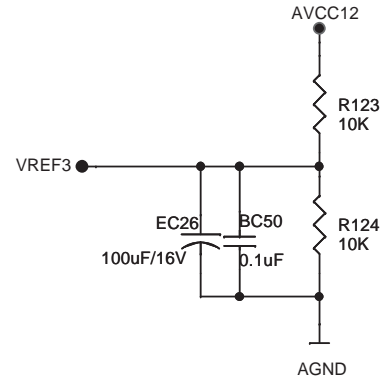
SET BLOCK DIAGRAM



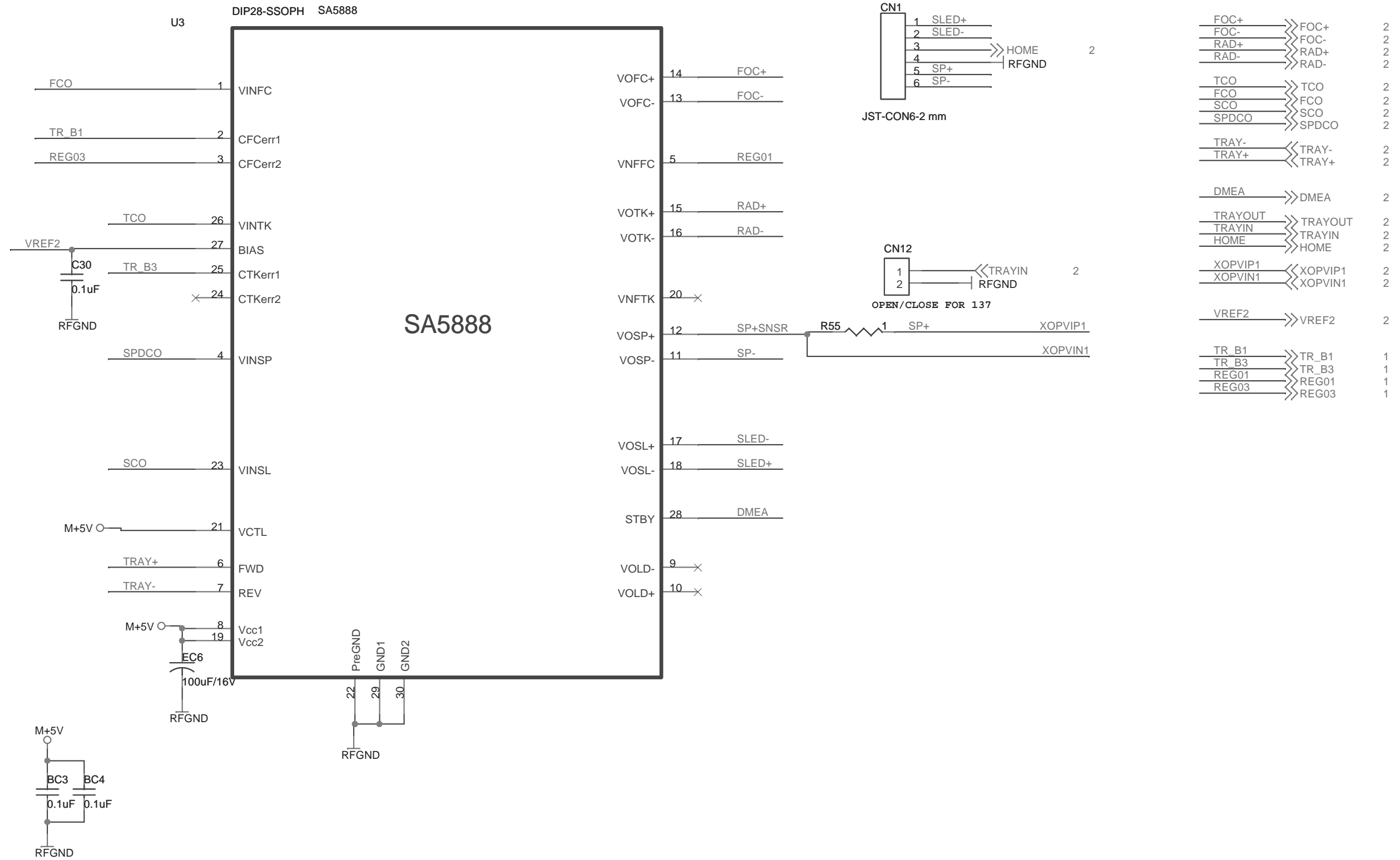
SET WIRING DIAGRAM



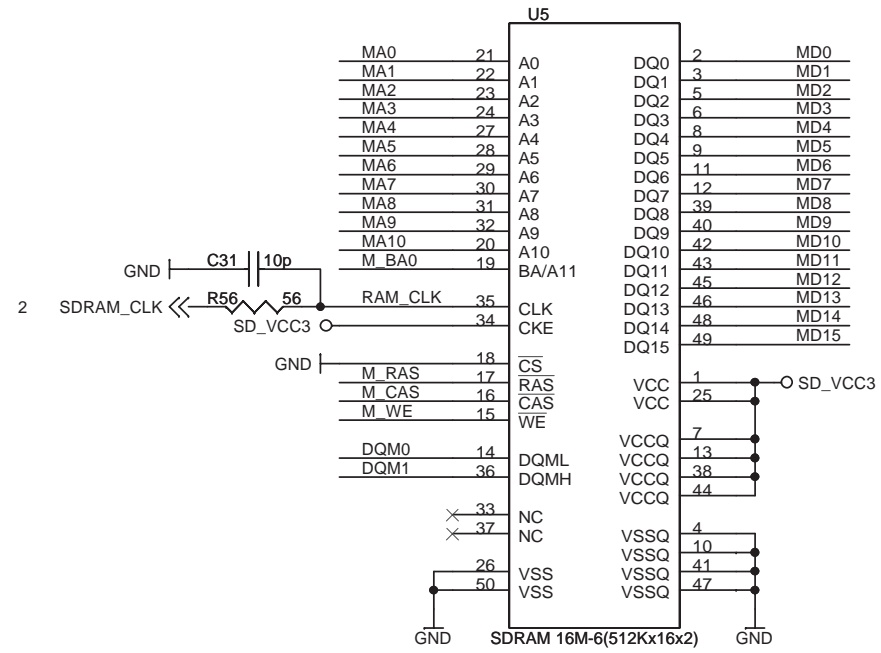
CIRCUIT DIAGRAM - MAIN BOARD PART 1



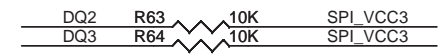
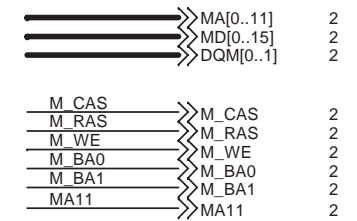
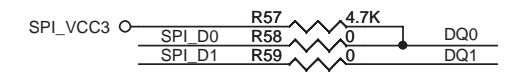
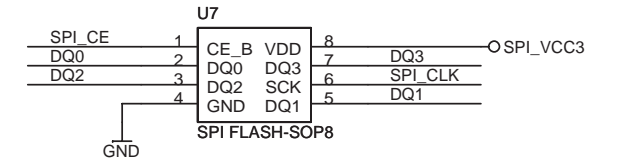
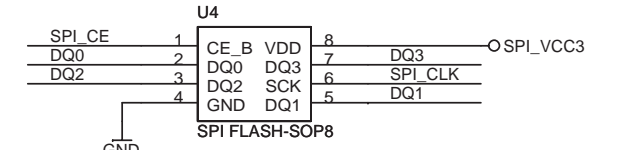
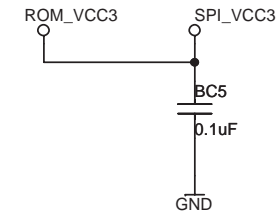
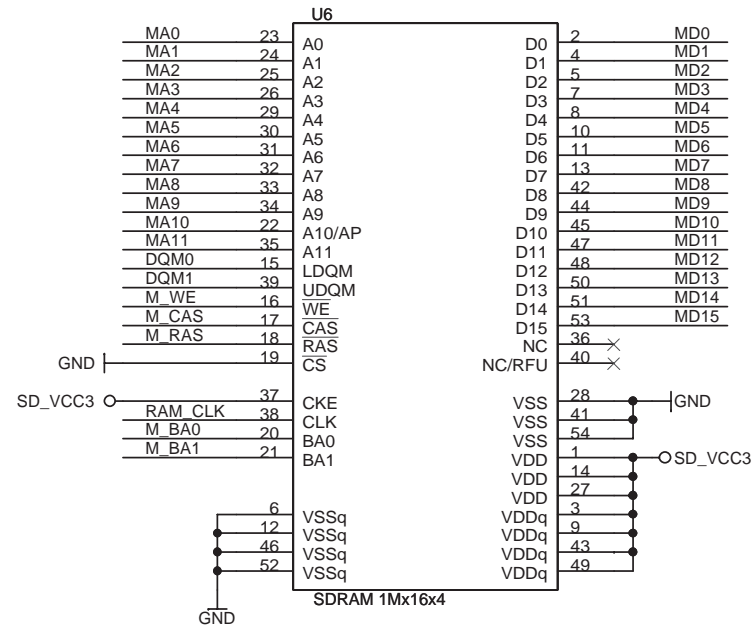
**CIRCUIT DIAGRAM - MAIN BOARD
PART 2**



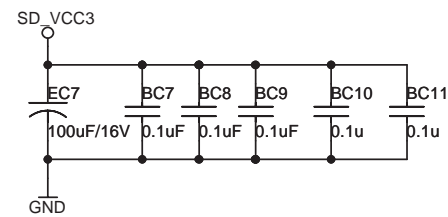
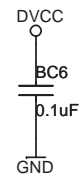
CIRCUIT DIAGRAM - MAIN BOARD
PART 3



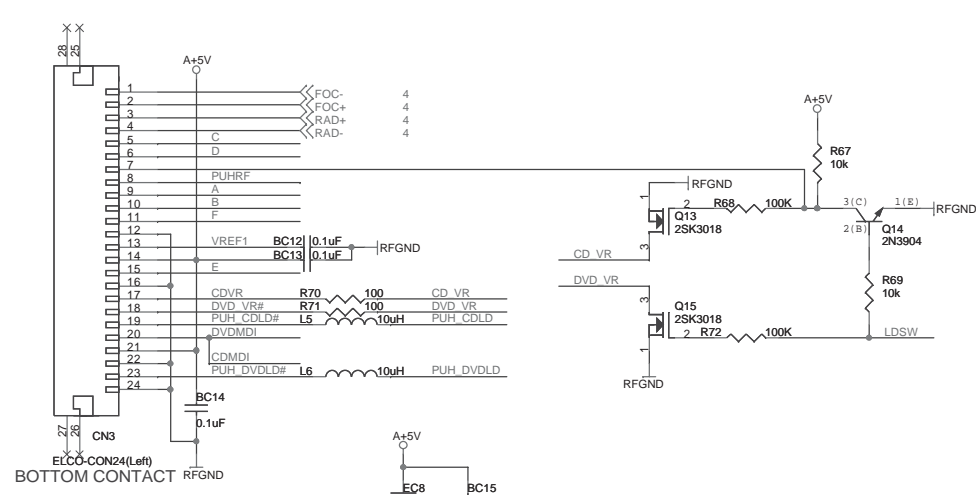
Option



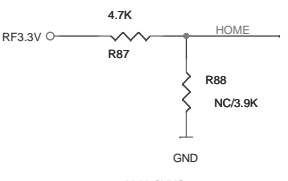
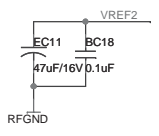
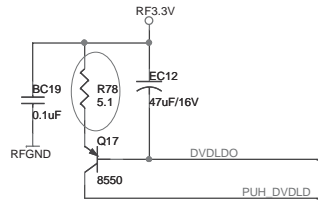
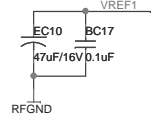
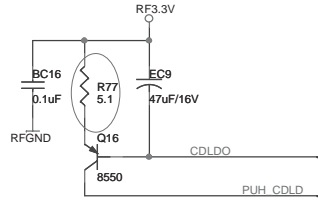
For SPI Flash Option



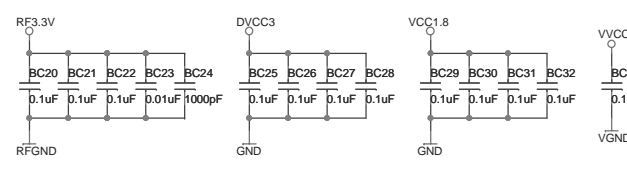
CIRCUIT DIAGRAM - MAIN BOARD PART 4



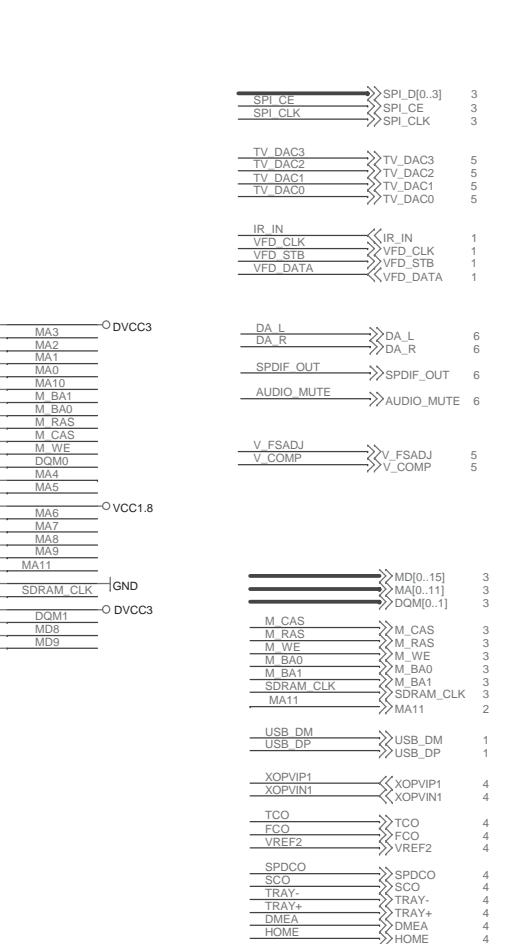
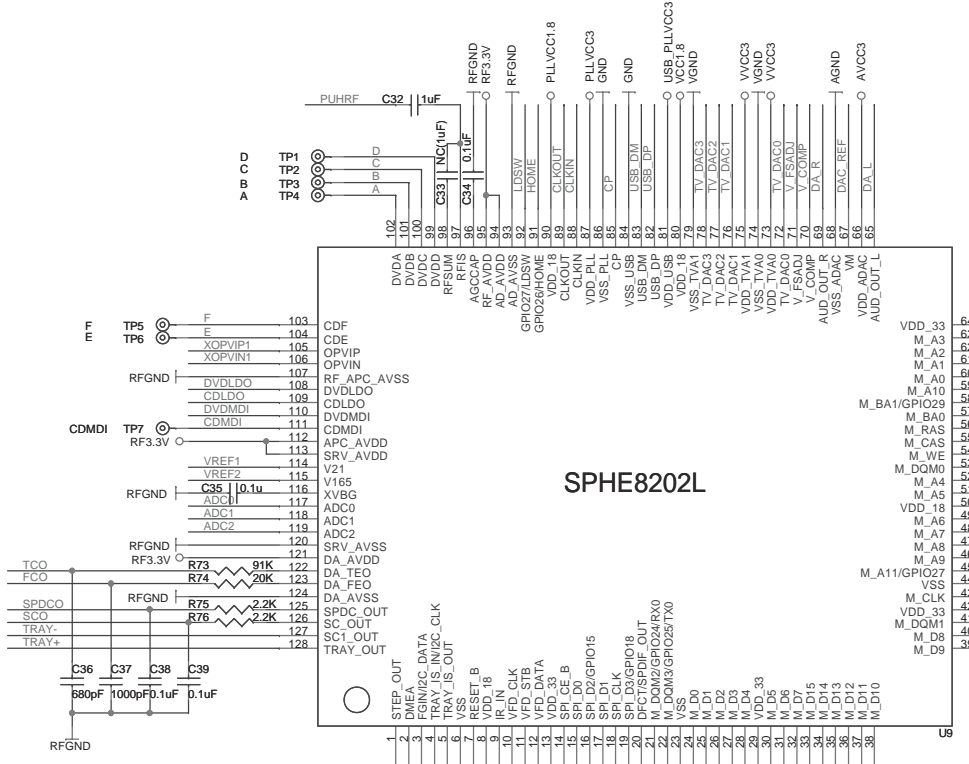
close to connector



Pickup head parameter
Only for Sony HD65

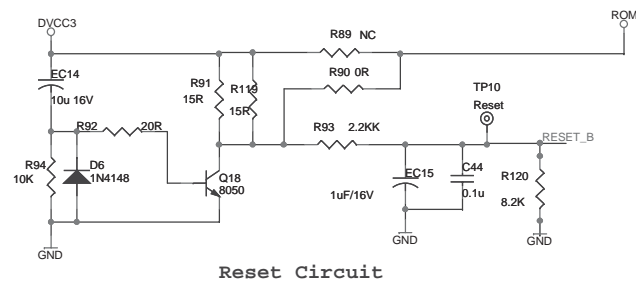


Please very close 8202L Pin85

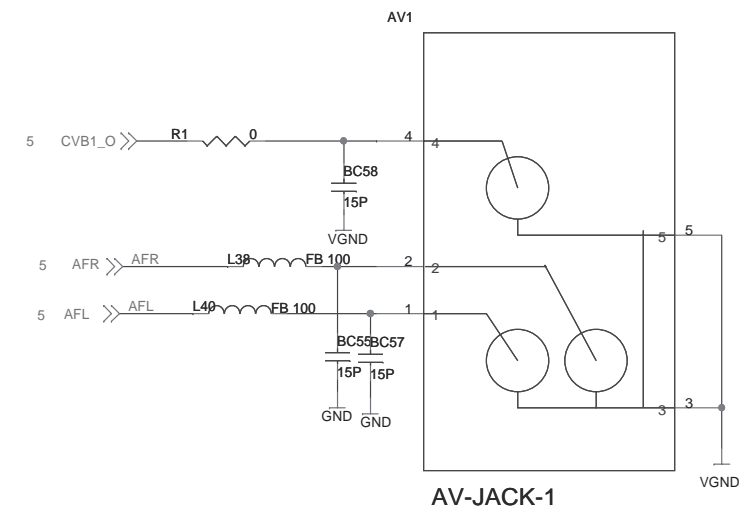
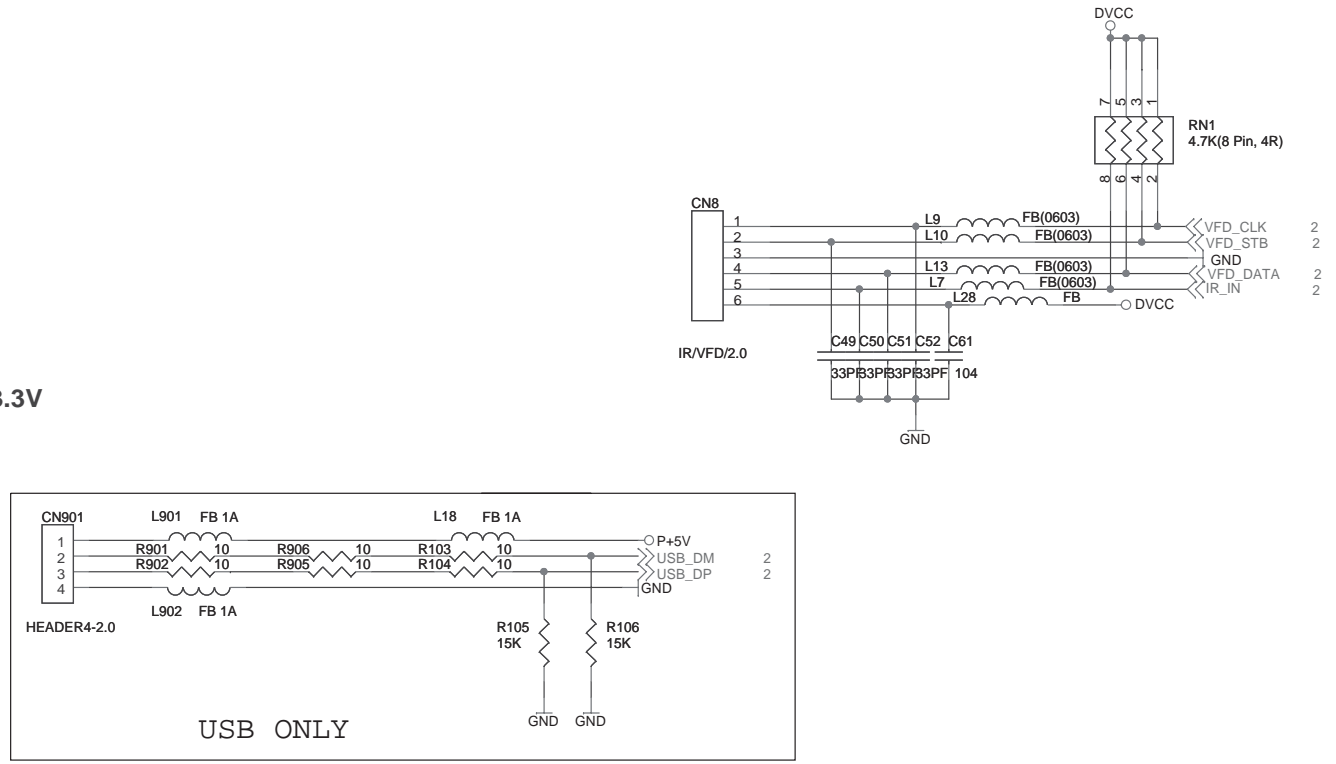
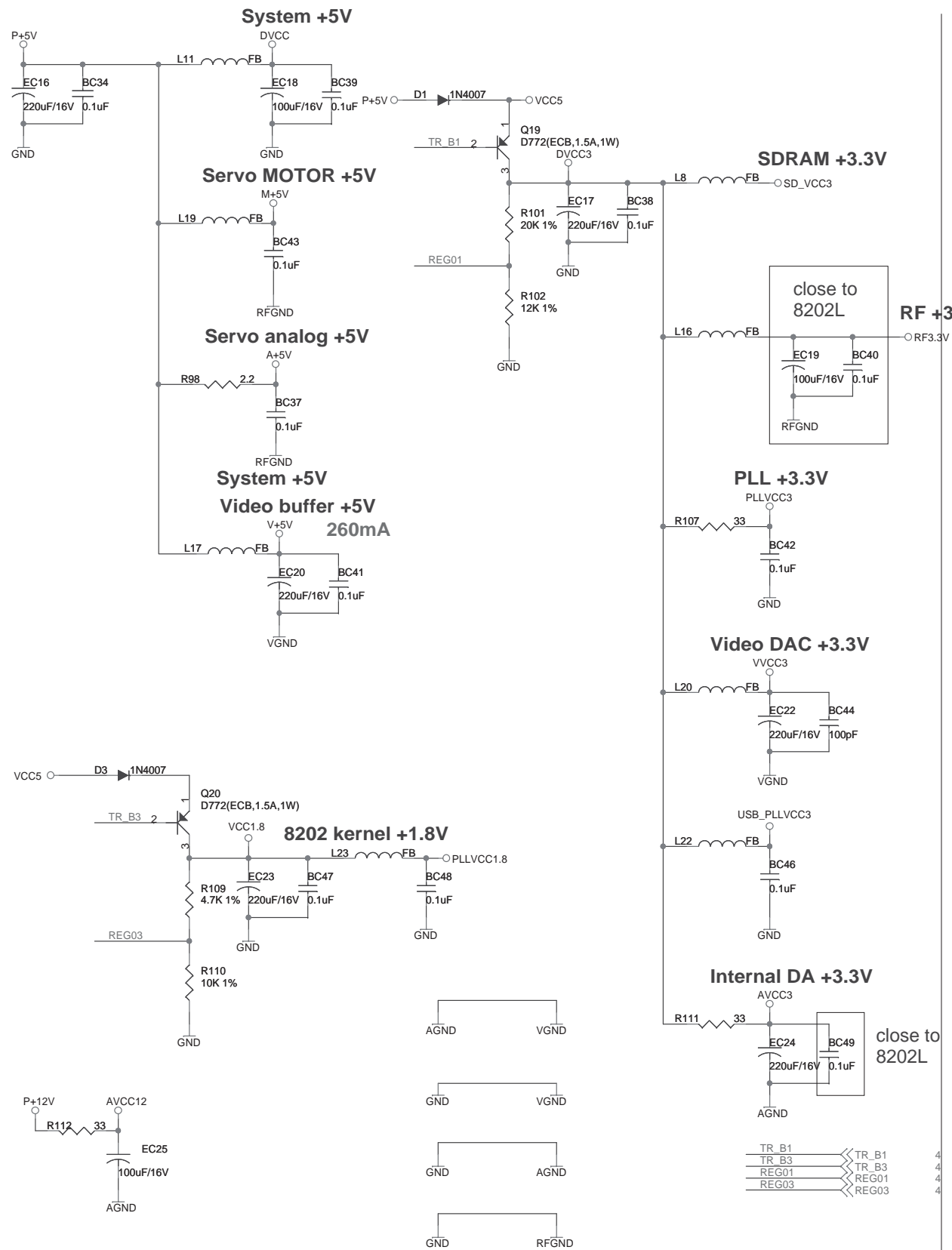


Reset Circuit

SPI Flash +3.3V

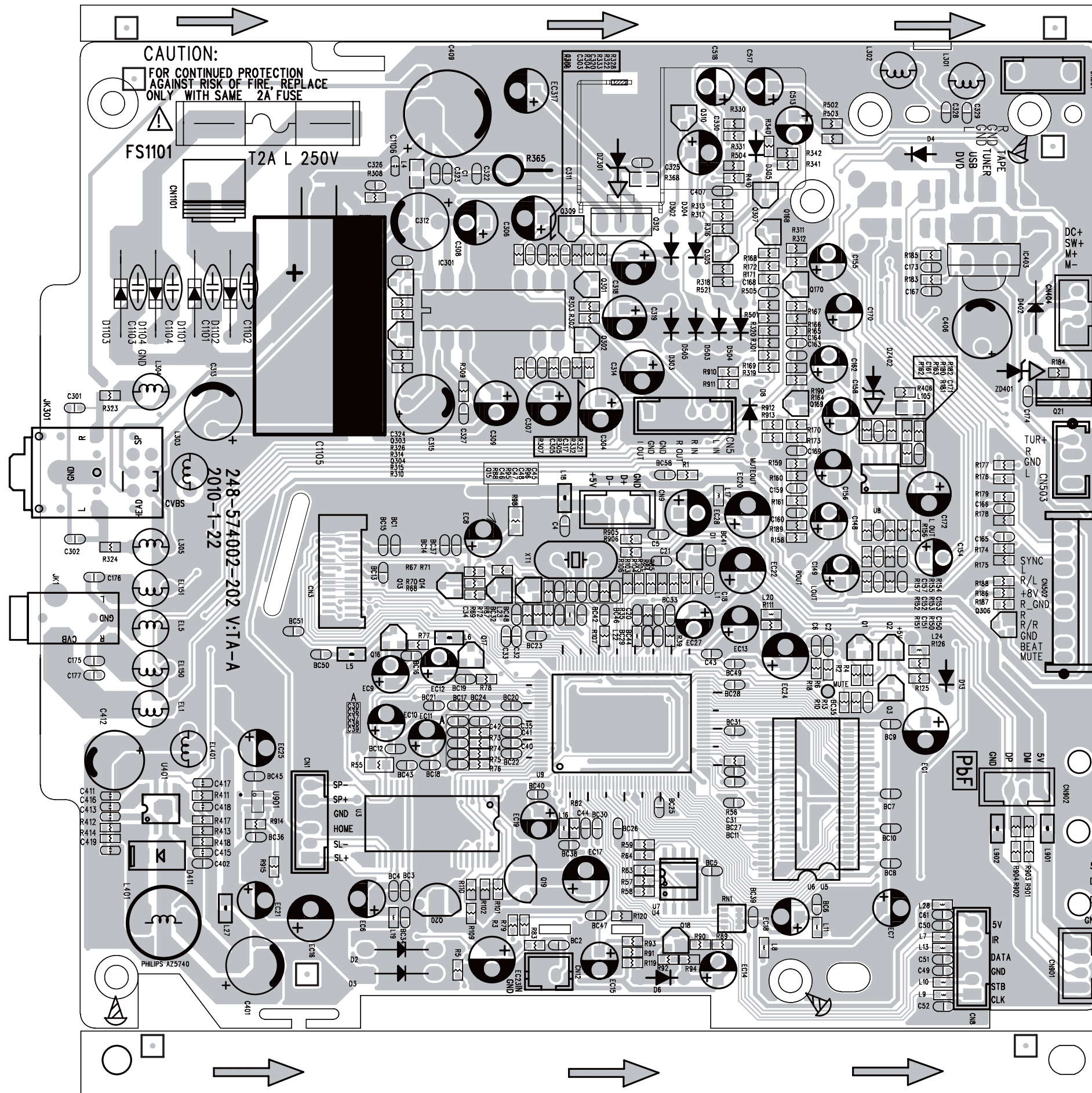


CIRCUIT DIAGRAM - MAIN BOARD
PART 5

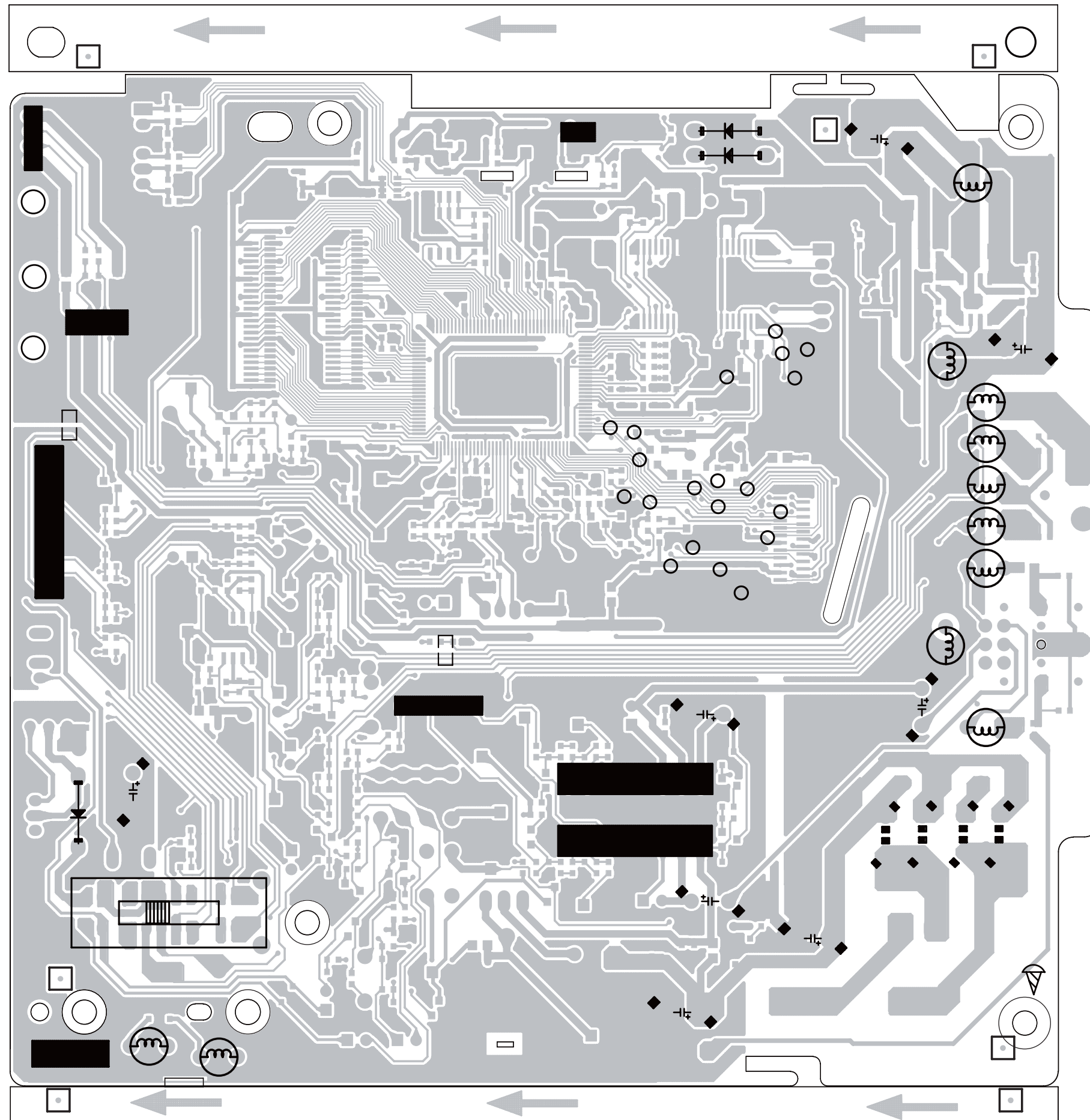


Power Bead > 2A, RAC@100 MHz
= 70 ohm, RDC(max)= 0.4 ohm

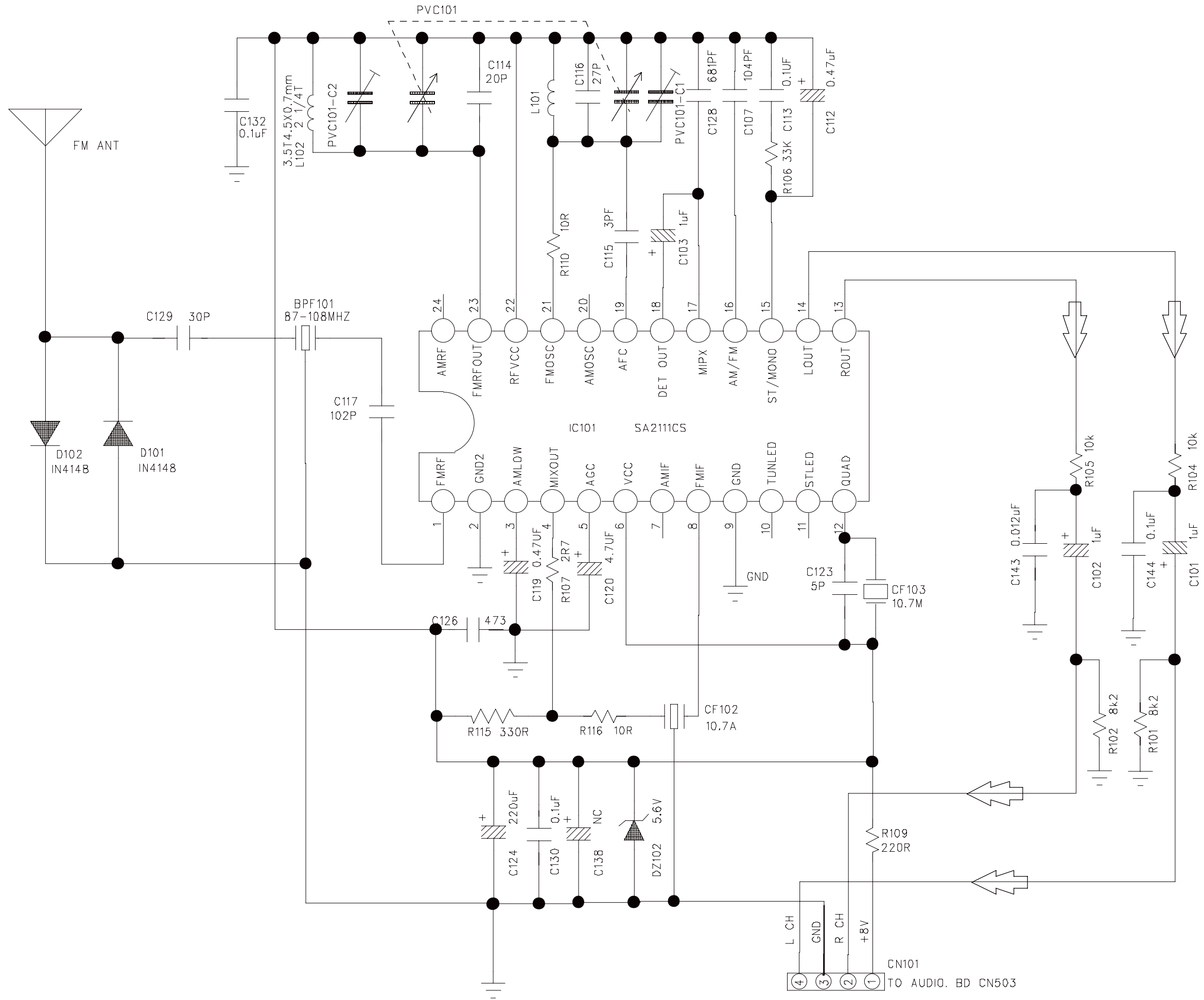
LAYOUT DIAGRAM - MAIN BOARD
TOP SIDE VIEW



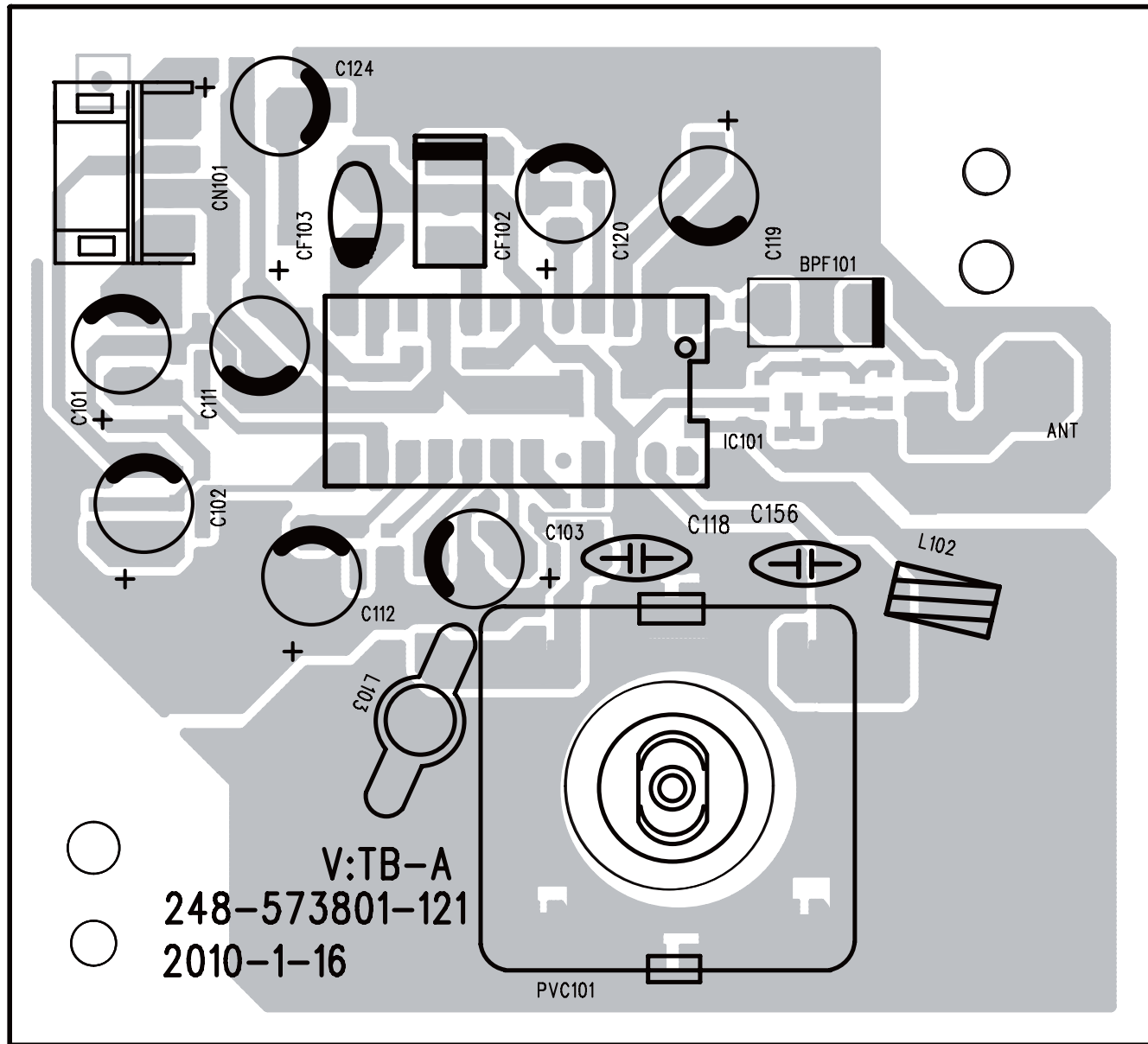
LAYOUT DIAGARM - MAIN BOARD
BOTTOM SIDE VIEW



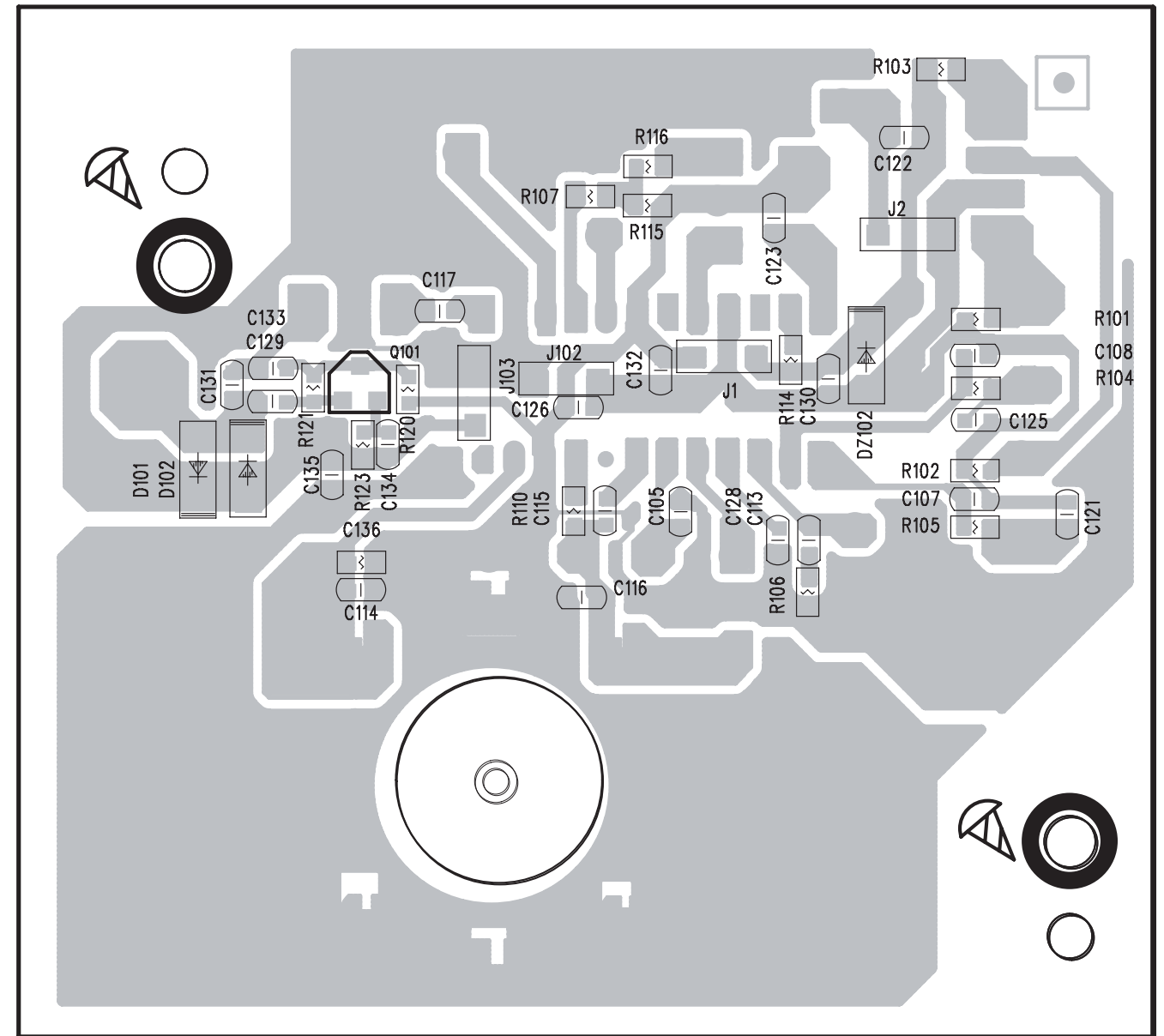
CIRCUIT DIAGARM - TUNER BOARD



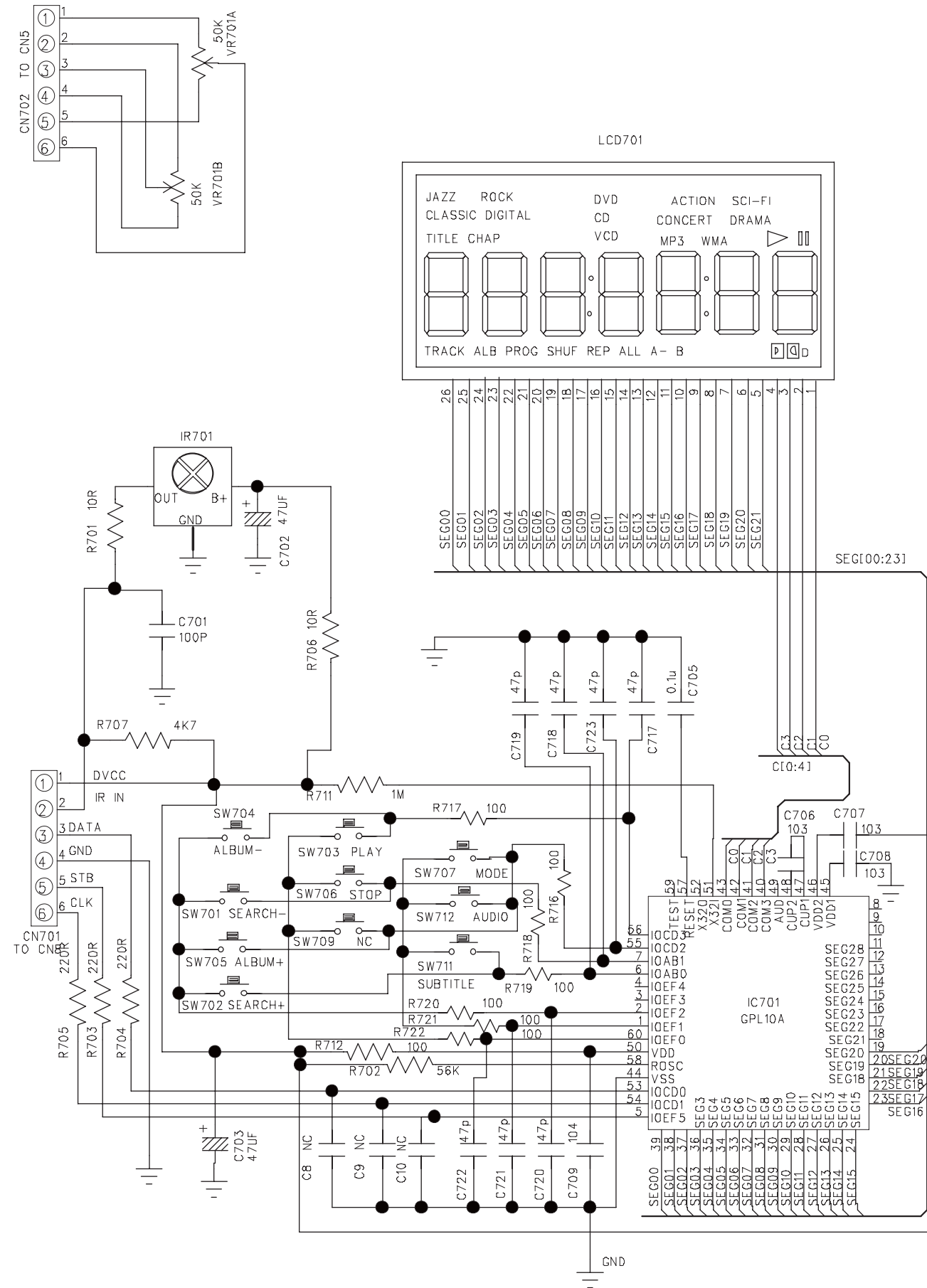
LAYOUT DIAGRAM - TUNER BOARD
TOP SIDE VIEW



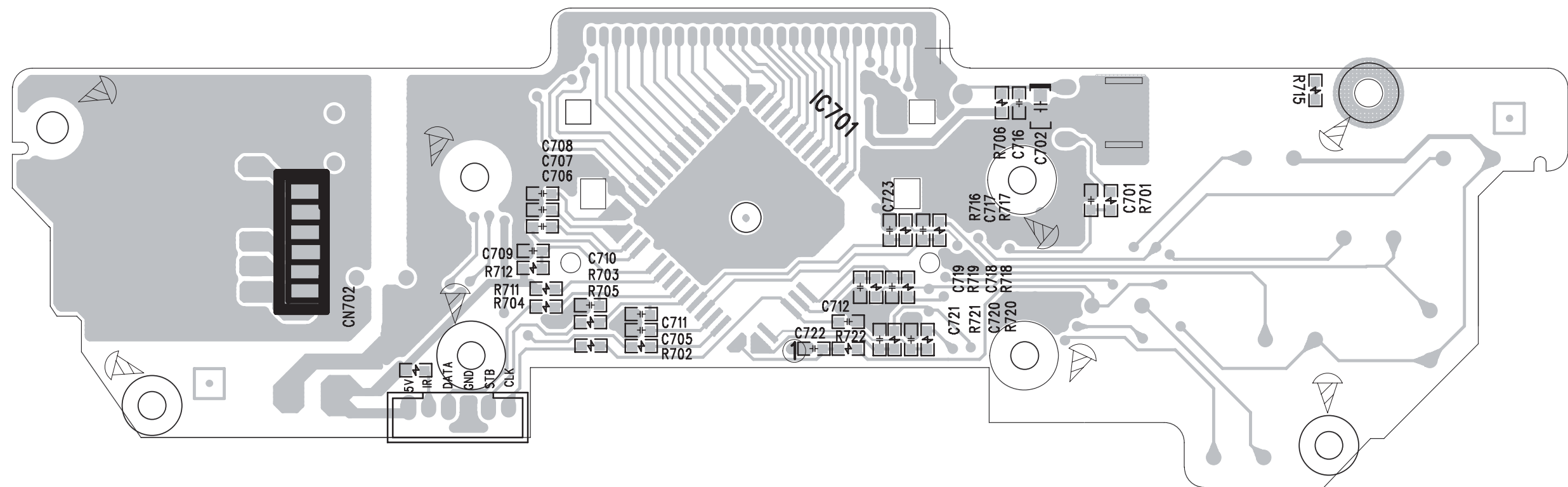
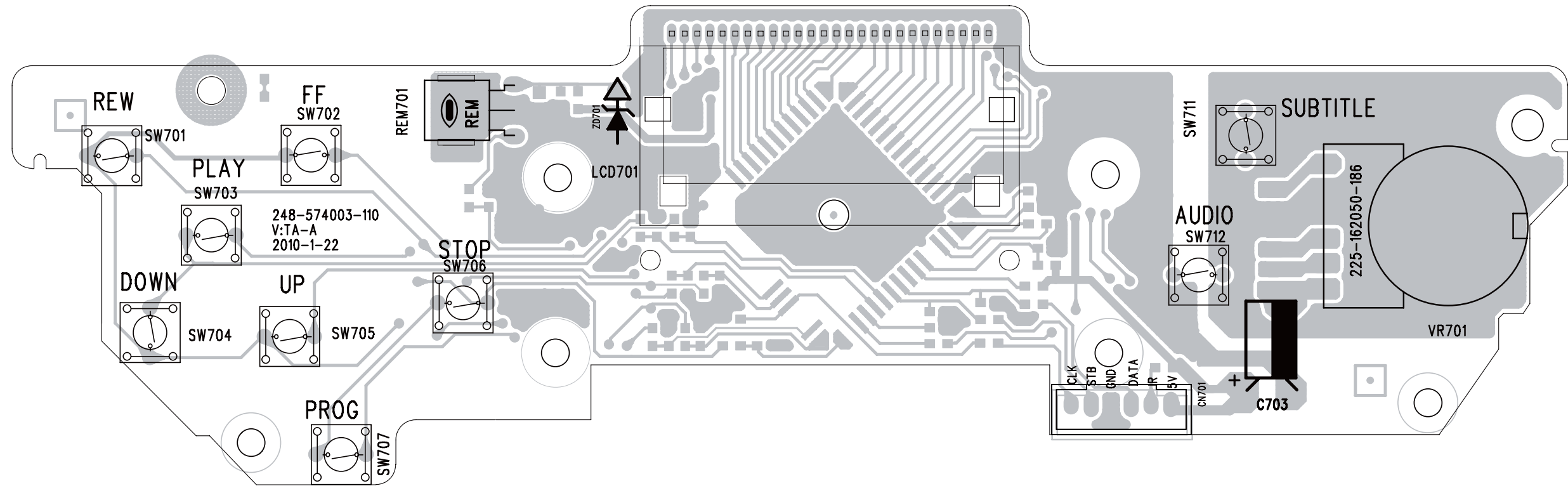
LAYOUT DIAGRAM - TUNER BOARD
BOTTOM SIDE VIEW



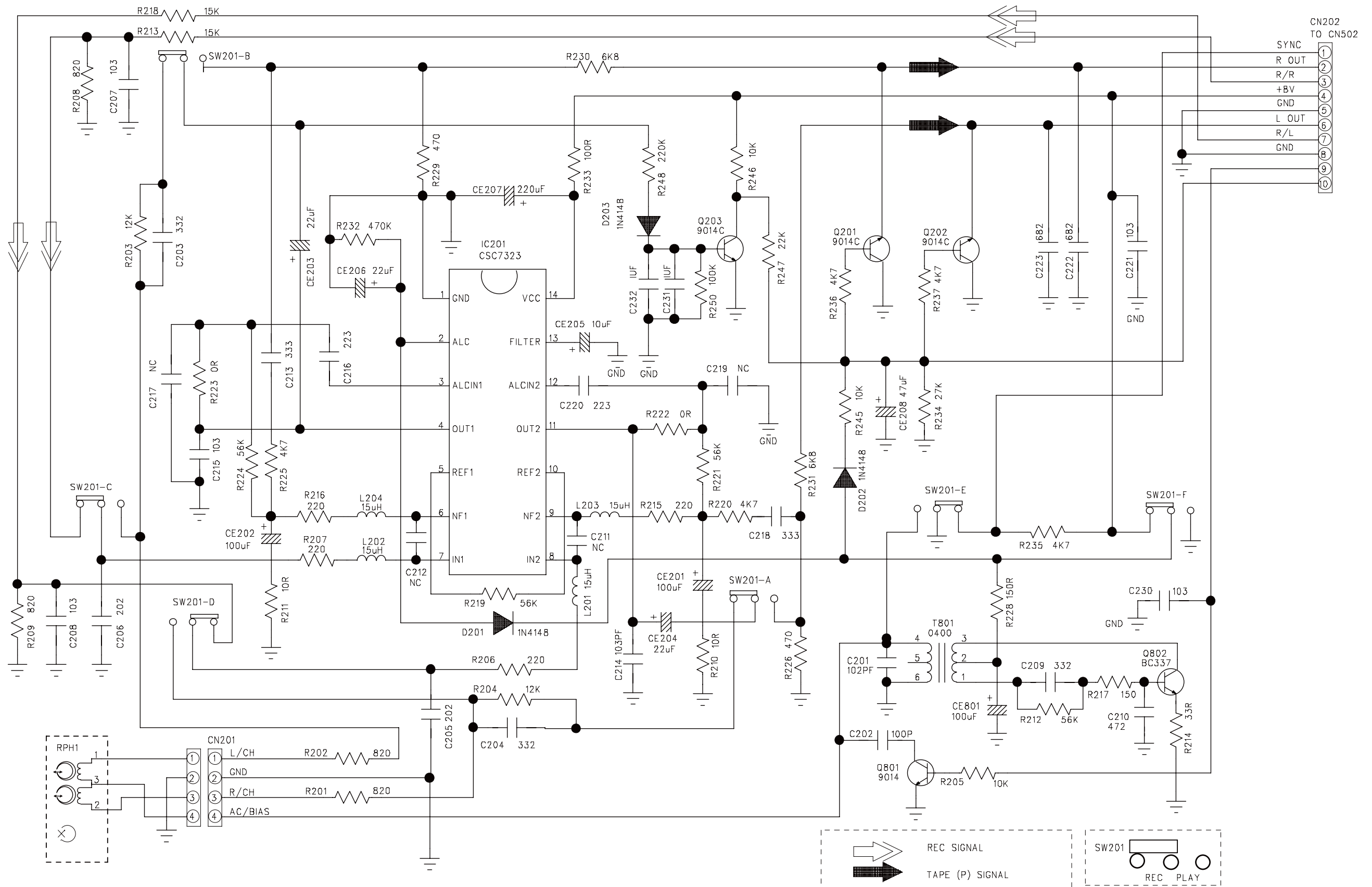
CIRCUIT DIAGRAM - CONTROL BOARD



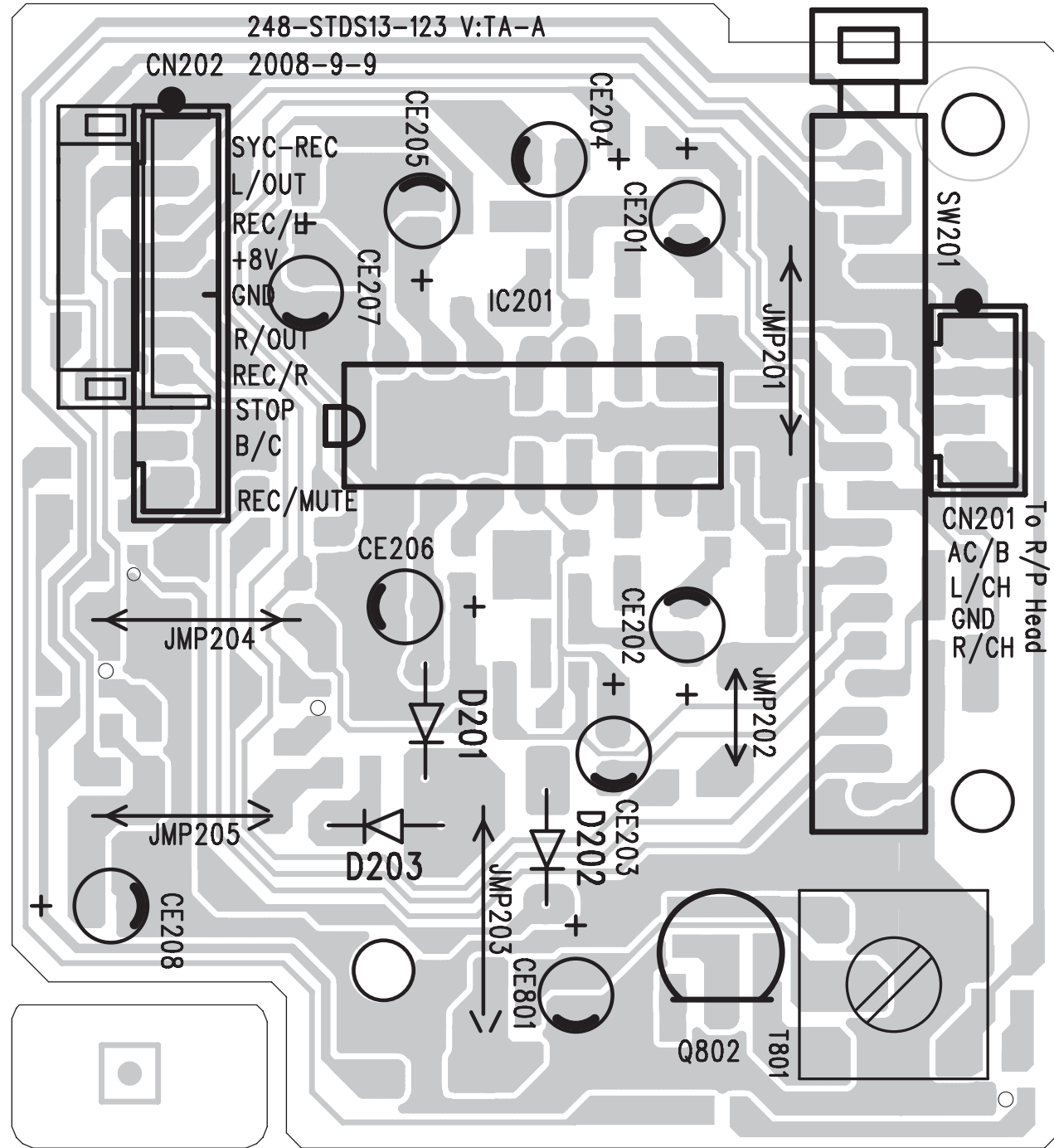
LAYOUT DIAGRAM - CONTROL BOARD



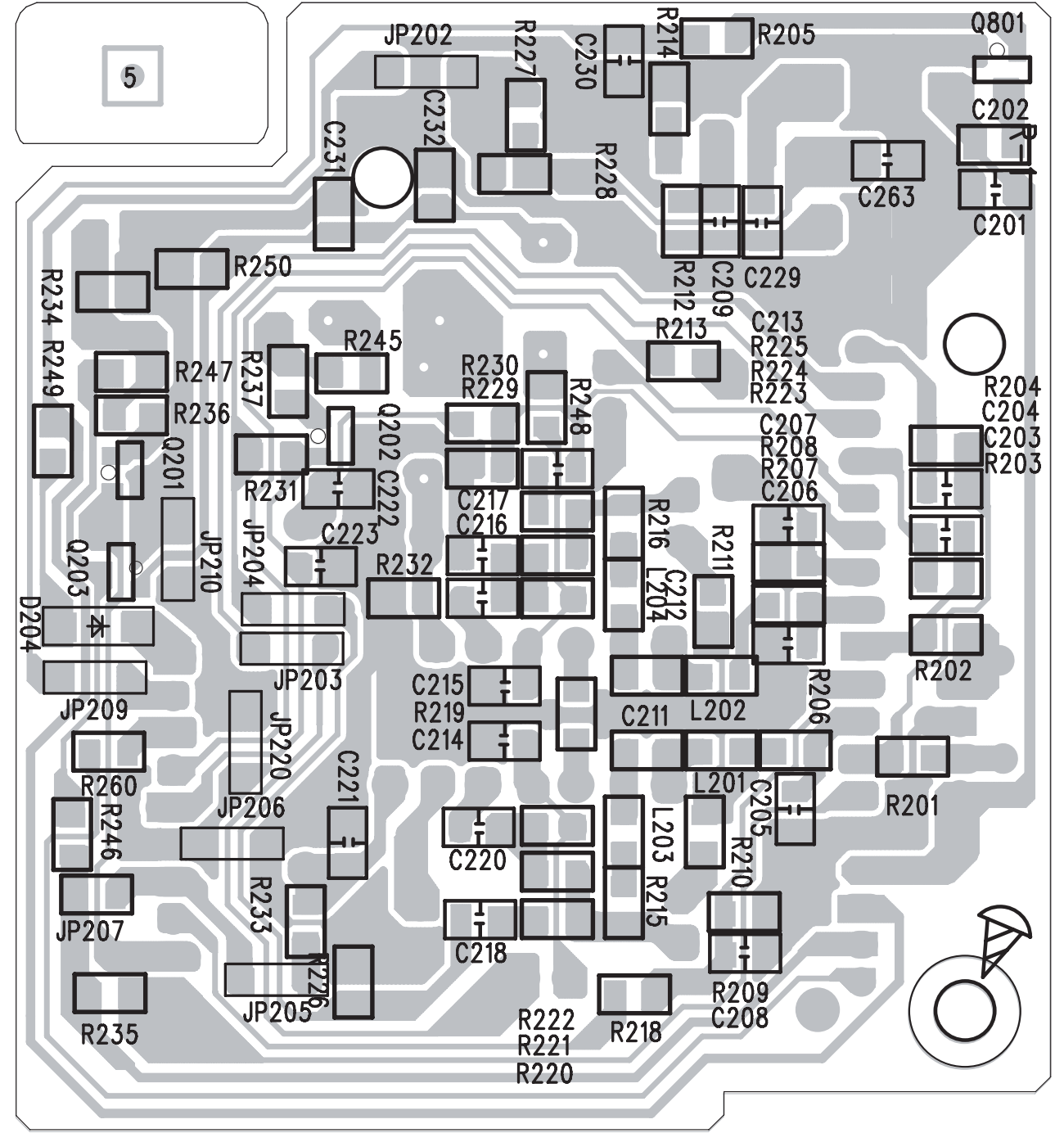
CIRCUIT DIAGRAM - RECORDING BOARD



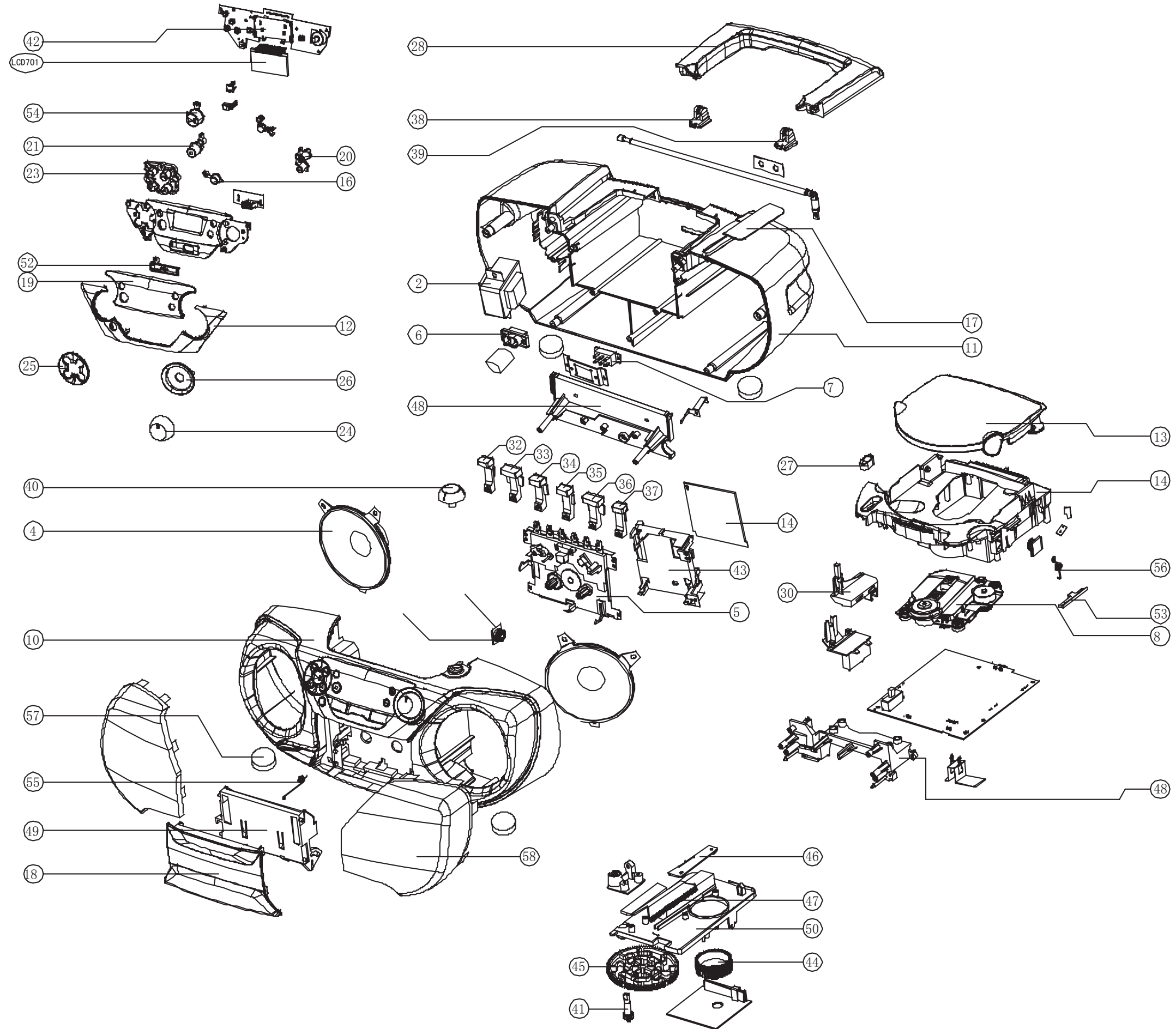
LAYOUT DIAGRAM -RECORDING BOARD
TOP SIDE VIEW



LAYOUT DIAGRAM - RECORDING BOARD
BOTTOM SIDE VIEW



EXPLODED VIEW DIAGRAM



Revision list

Version1.0 (3141 785 34990)

*Initial Release